

## **R Model 82 Dual Capacity Bag Filter And Basket Strainer**

Extra capacity at higher flow rates!

Rosedale dual capacity housings can serve as either basket strainers or bag filters. Covers are easily removed, without tools, and the basket or bag is quickly and easily cleaned or replaced. Rosedale's bag-sized pleated cartridges will provide even greater dirt-holding capacity (see page 134).

**Low price, greater dirt holding capacity, and higher flow rates make the Model 82 a very cost-efficient choice!**

### Features

- Low pressure drops
- Permanently-piped housings
- Covers are O-ring sealed
- Carbon steel or stainless steel (304 or 316) housings
- Housings are electropolished to resist adhesion of dirt or scale
- Adjustable-height legs
- For flow rates to 440 gpm
- ASME code stamp available
- Large-area, heavy-duty baskets
- Dual stage straining/filtering

### Options

- Higher pressure ratings
- Extra-length legs
- Heat jacketing
- Liquid displacers for easier servicing

### Basket Data

(each basket, two baskets total)

Depth inches (nominal)	Diameter (inches)	Surface Area (sq. ft.)	Bag Size No.
15	6.7	2.3	1
30	6.7	4.4	2



### Viscosity Factors

		CPS NUMBER							
$1(H_2O)$	50	100	200	400	600	800	1000	2000	
.65	.85	1.00	1.10	1.20	1.40	1.50	1.60	1.80	

# How To Order

Build an ordering code as shown in the example

**Example:**

**Housing Options**  
**82- 30- 4F- 1 -150- C - B - S - BM- 200 -D - C**

MODEL 82 = **82**

**HOUSING SIZE**

15 inch = **15**  
 30 inch = **30**

**PIPE SIZE, NPT & FLANGED**

2-in. 150 or 300-lb ANSI flange\* = **2F**  
 3-in. 150 or 300-lb ANSI flange\* = **3F**  
 4-in. 150 or 300-lb ANSI flange\* = **4F**  
 6-in. 150 or 300-lb ANSI flange\* = **6F**  
 \*Dependent on required pressure rating

**OUTLET STYLE**

Side = **1**

**PRESSURE RATING<sup>1</sup>**

150 psi (flanged) = **150**  
 300 psi (flanged) = **300**

**HOUSING MATERIAL**

Carbon steel = **C**  
 304 stainless steel = **S**  
 316 stainless steel = **S316**

**COVER SEAL**

Buna N = **B**  
 Ethylene Propylene = **E**  
 Viton® Fluoroelastomer = **V**  
 Teflon® Encapsulated Viton® = **TEV**  
 Teflon® (solid white) (6 Bolt Cover) = **TSW**

**BASKET SEAL**

Seal (required) = **S**

**BASKET TYPE**

Filter bag basket<sup>2</sup> = **PB**  
 Strainer basket = **P**  
 Filter bag basket, mesh lined<sup>2</sup> = **BM**  
 Strainer basket, mesh lined = **M**  
 Filter bag basket, heavy wire mesh = **HWM**

**BASKET, MEDIA SIZE**, no symbol if type B basket was selected

Type P perforation diameters 1/4, 3/16, 9/64, 3/32, 1/16  
 Type M and BM mesh sizes 20, 30, 40, 50, 60, 70, 80, 100, 150, 200 = **200**

**DISPLACER**

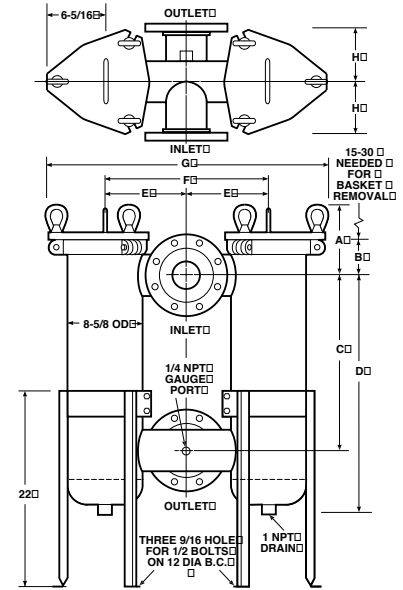
Displacer = **D**

**ASME CODE STAMP**

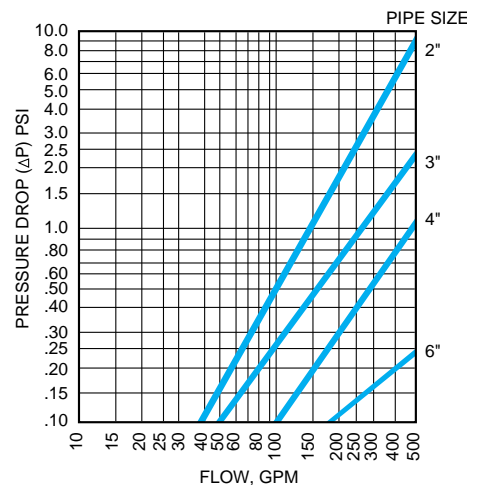
Code = **C**

- Higher pressures are available, consult factory.
- Filter bags are specified separately. See pages 134.
- Flanges provided with the housing match the pressure rating of the vessel. Housings rated 150 psi have 150 class flanges. Housings rated 300 psi have 300 class flanges.

## Dimensions (IN)



Pipe Size	2	3	4	6
<b>A</b>	6-5/8	7-1/2	7-1/2	9
<b>B</b>	2-7/8	3-3/4	3-3/4	5-1/4
<b>C (15 in)</b>	14-1/2	14-1/2	14-1/2	14-1/2
<b>C (30 in)</b>	29-1/2	29-1/2	29-1/2	29-1/2
<b>D (15 in)</b>	21-3/16	22-3/32	22-3/32	23-9/16
<b>D (30 in)</b>	36-3/16	37-3/32	37-3/32	38-9/16
<b>E</b>	8	8	9	9
<b>F</b>	16	16	18	18
<b>G</b>	28-9/16	28-9/16	30-9/16	30-9/16
<b>H</b>	4-1/2	5-1/2	6-1/2	8



\* Based on housing only. Fluid viscosity, filter bag used, and expected dirt loading should be considered when sizing a filter.

Dimensions are reference only and should not be used for hard plumbing. Consult factory for certified drawings.